

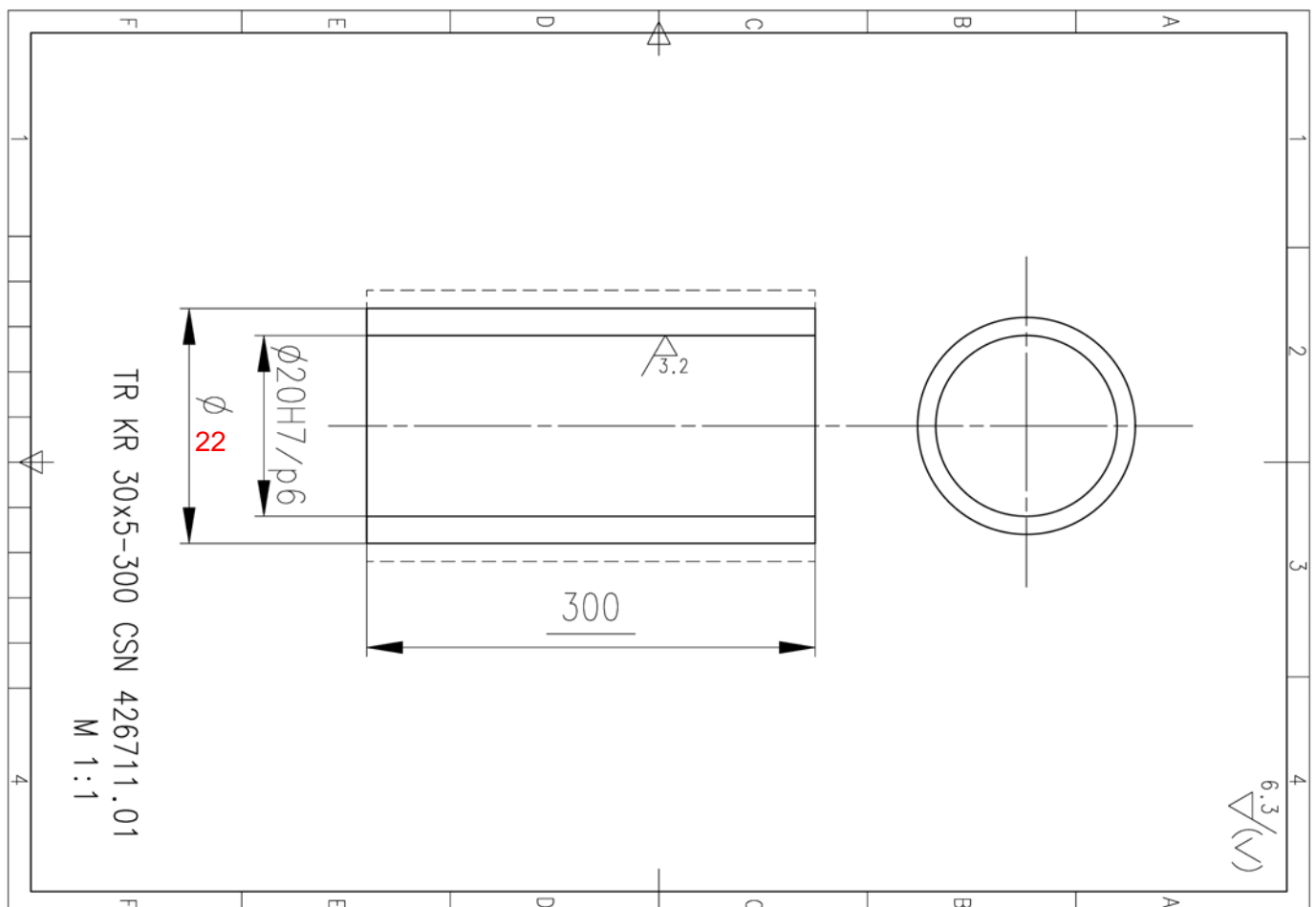
Design of a prime-focus feed with backward radiation

Libor SLÁMA¹, Rastislav GALUŠČÁK - OM6AA¹, Pavel HAZDRA¹

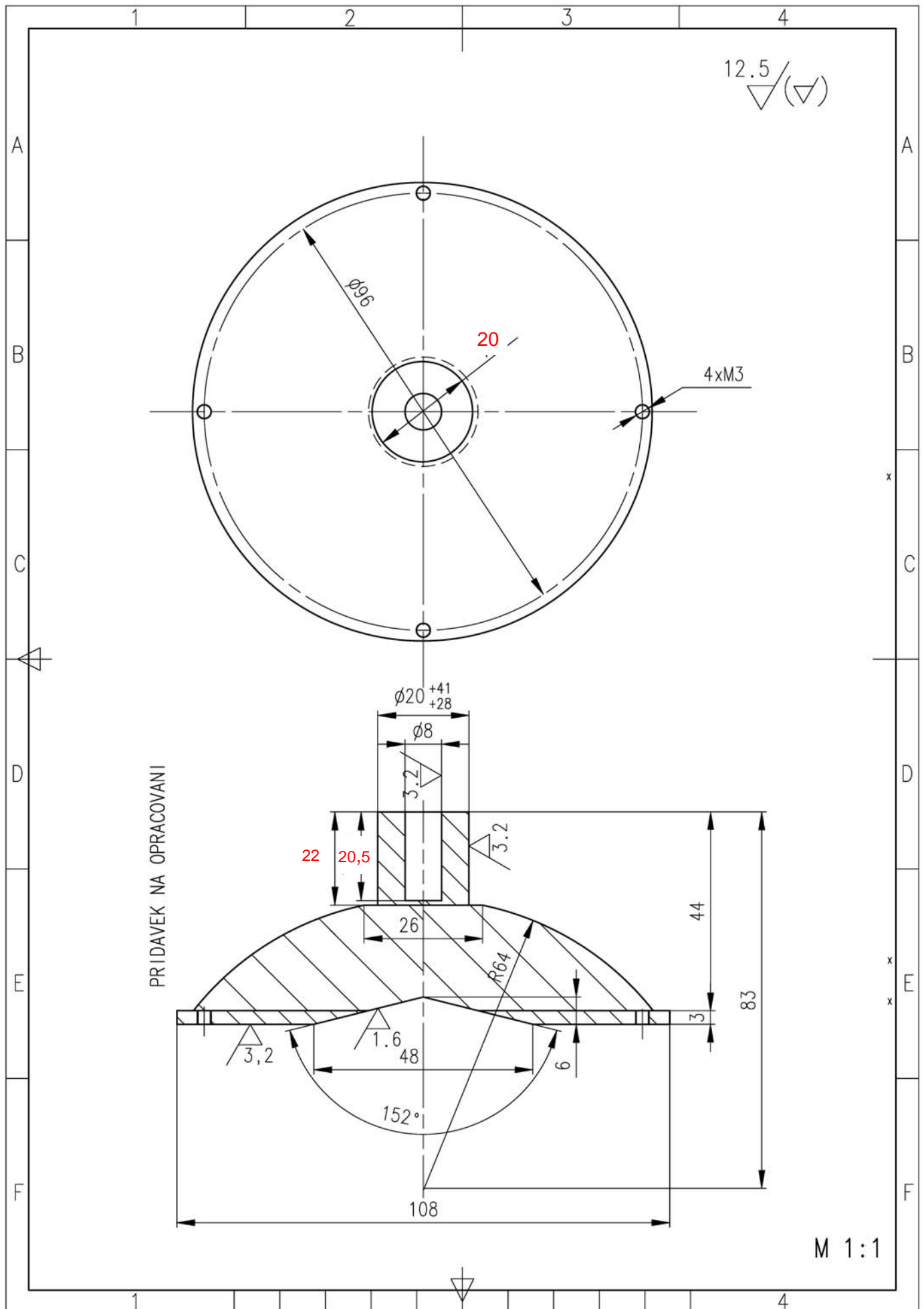
¹ Dept. of Electromagnetic Field, Czech Technical University, Technická 2, 166 27 Praha, Czech Republic

CORRECTION sheet for Page 55 to 57 in DUBUS 3/2008

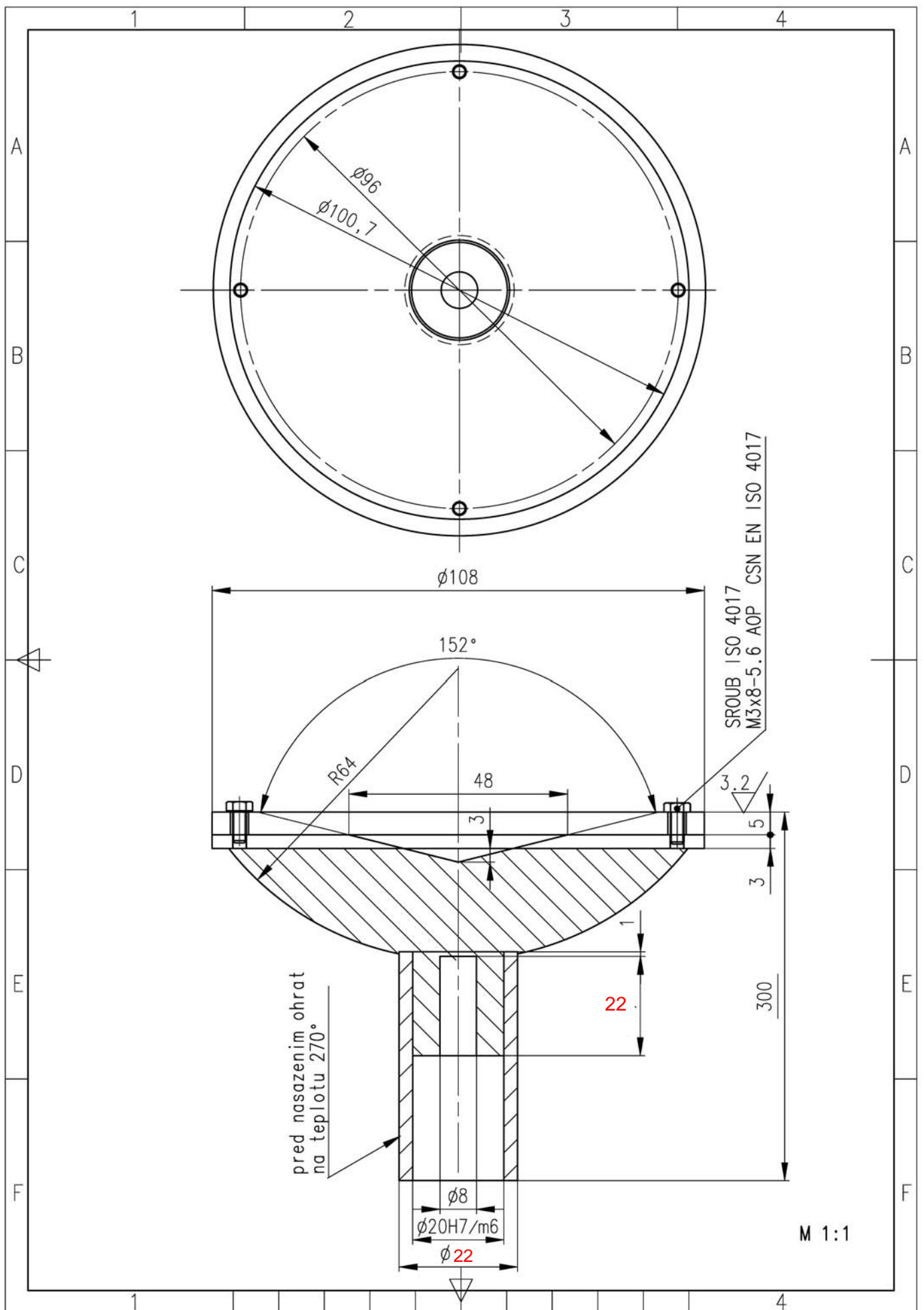
Appendix



Appendix A



Appendix B



Appendix C